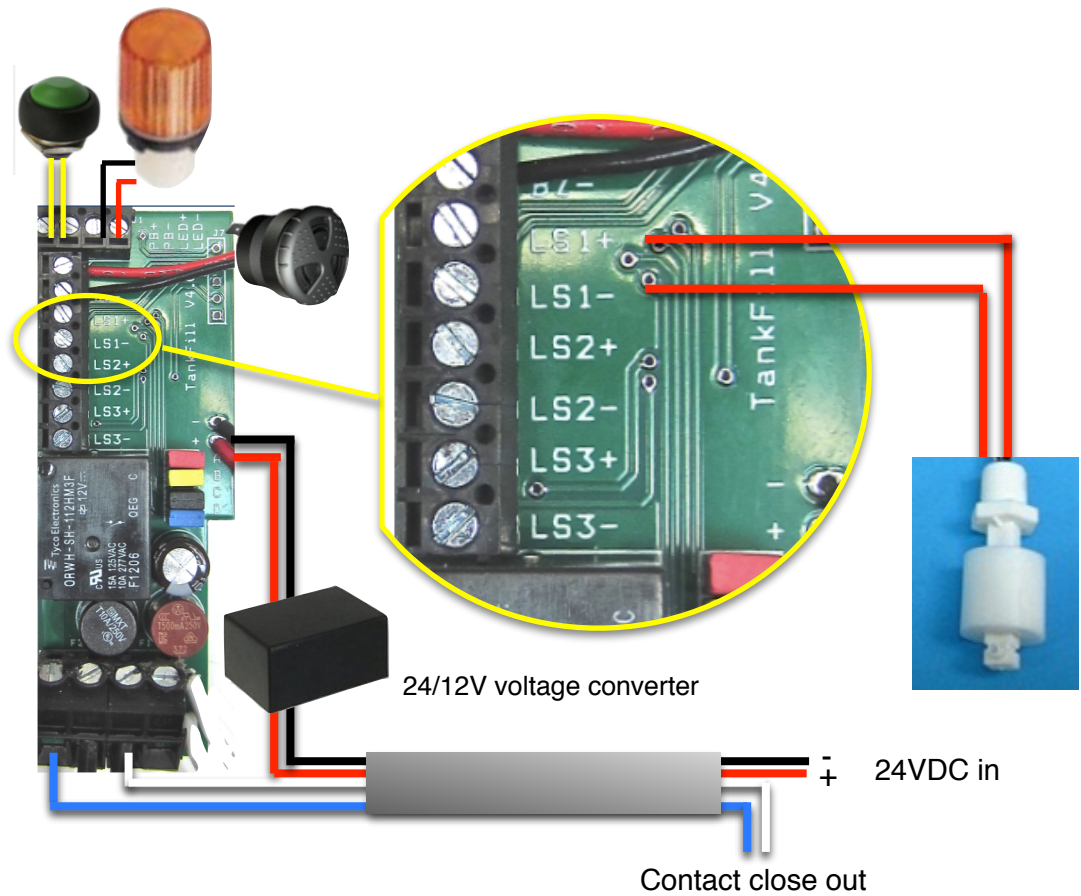


PLC

1. CONDUIT BODY

Input and output are typically run through an 8-conductor cable. Therefore a PG7 cord grip will be required for power in and output.

2. 24V INPUT, DRY CONTACT CLOSE OUT



PLC

3. LIVE 24VDC OUT

- If a 3-position terminal block is on the board, the middle terminal can be shared ground so it has two wires. (the black and white shown).

