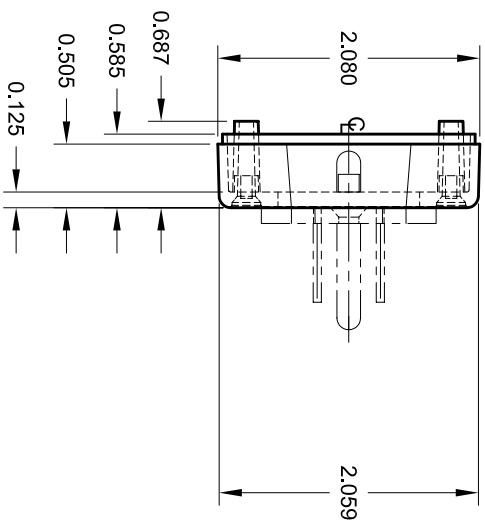
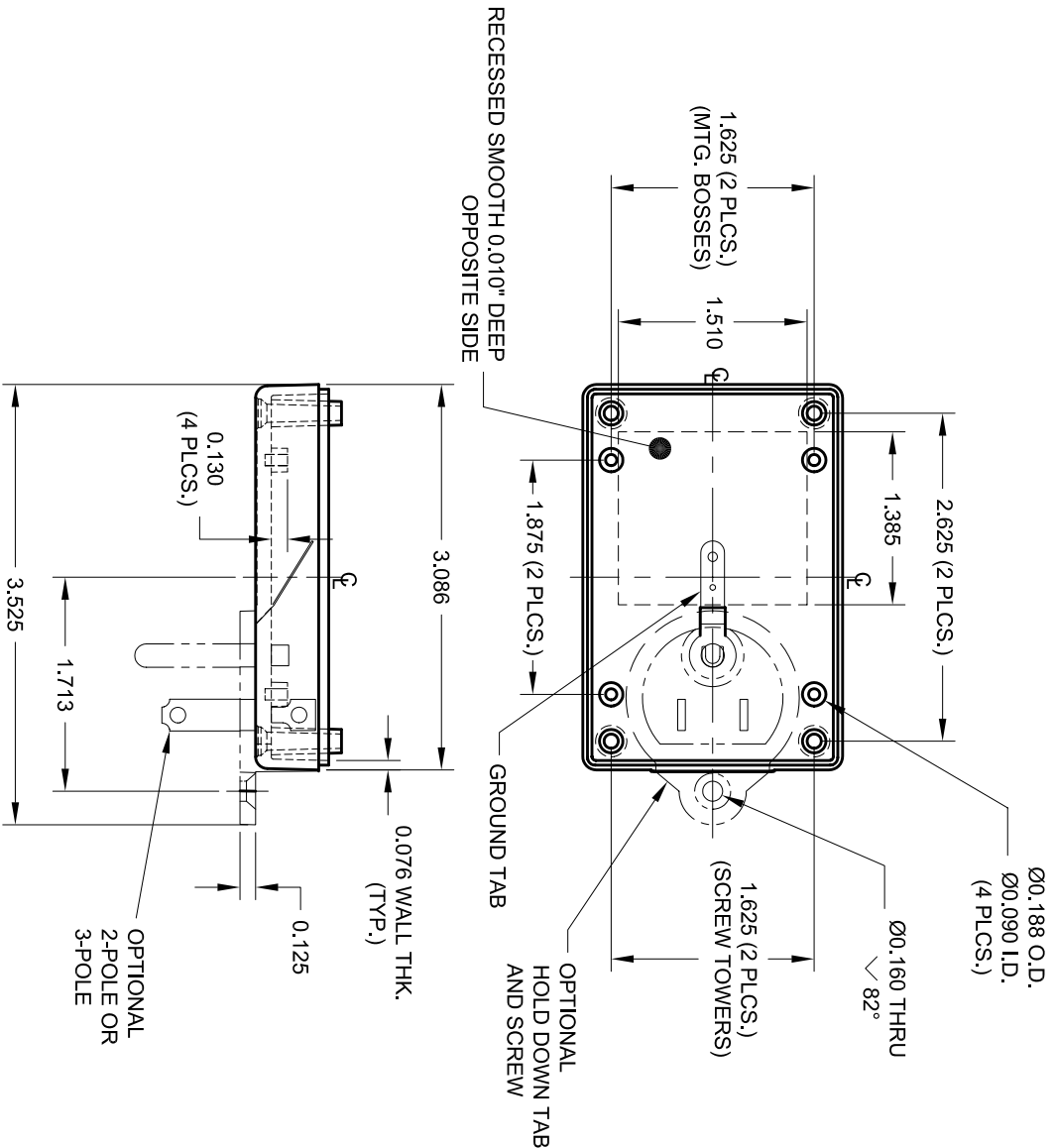


NOTE:
 1) PC BOARD BOSSES WILL ACCEPT A
 #4 X 1/4" THREAD FORMING SCREW
 (SCREWS AVAILABLE FROM POLYCASE)

REV	DESCRIPTION	BY	CHK	DATE

		<small>1085 CHESTER RD. PARSONS AVE. OHIO 44111 USA POLYCASE INC. OHIO 44111 USA P.O. BOX 10000 FAX: 440.444.4444 TEL: 440.444.4444</small>	
YOUR PERFECT FIT		<small>THIS DRAWING AND THE INFORMATION CONTAINED HEREIN IS THE PROPERTY OF POLYCASE AND IT IS NOT TO BE REPRODUCED OR TRANSMITTED IN ANY FORM OR BY ANY MEANS, ELECTRONIC OR MECHANICAL, WITHOUT PERMISSION IN WRITING FROM POLYCASE.</small>	
BUSINESS BUSINESS X,XXX 4,020 X,XXX 4,010	DRAWN BY: K.R. APP. BY: B.B. JOB NO.: - CUSTOMER: -	SCALE: FULL DATE: 12/18/02 PRODUCT: PS-2320	TITLE: PRODUCT DETAIL DRAWING



NOTE:
1.) PC BOARD BOSSES WILL ACCEPT A #4 X 1/4" THREAD FORMING SCREW.
(SCREWS AVAILABLE FROM POLYCASE)

REV	DESCRIPTION	BY	CHK	DATE

POLYCASE
YOUR PERFECT FIT

1085 CHESTER RD. PARKWAY ACON, OHIO 44011 USA
POLYCASE, INC. TEL: 440.248.1233 FAX: 440.248.0088
O 440.248.1233
X XXX 4.020
X XXX 4.010

THIS DRAWING AND THE INFORMATION CONTAINED HEREIN IS THE PROPERTY OF POLYCASE AND IT IS NOT TO BE REPRODUCED OR TRANSMITTED IN ANY FORM OR BY ANY MEANS, ELECTRONIC OR MECHANICAL, WITHOUT THE WRITTEN PERMISSION OF POLYCASE.

DRAWN BY	APP. BY	SCALE	DATE:
M.M.T.	E.B.	FULL	04/7/00
JOB NO.:		PRODUCT:	B2305
CUSTOMER:			
TITLE: PRODUCT DETAIL DRAWING			

