

# VENT CAPS

## OVERALL

This product is designed to shield tanks and other openings from rain, wind and insect ingress. It can be used for decades in outdoor service.

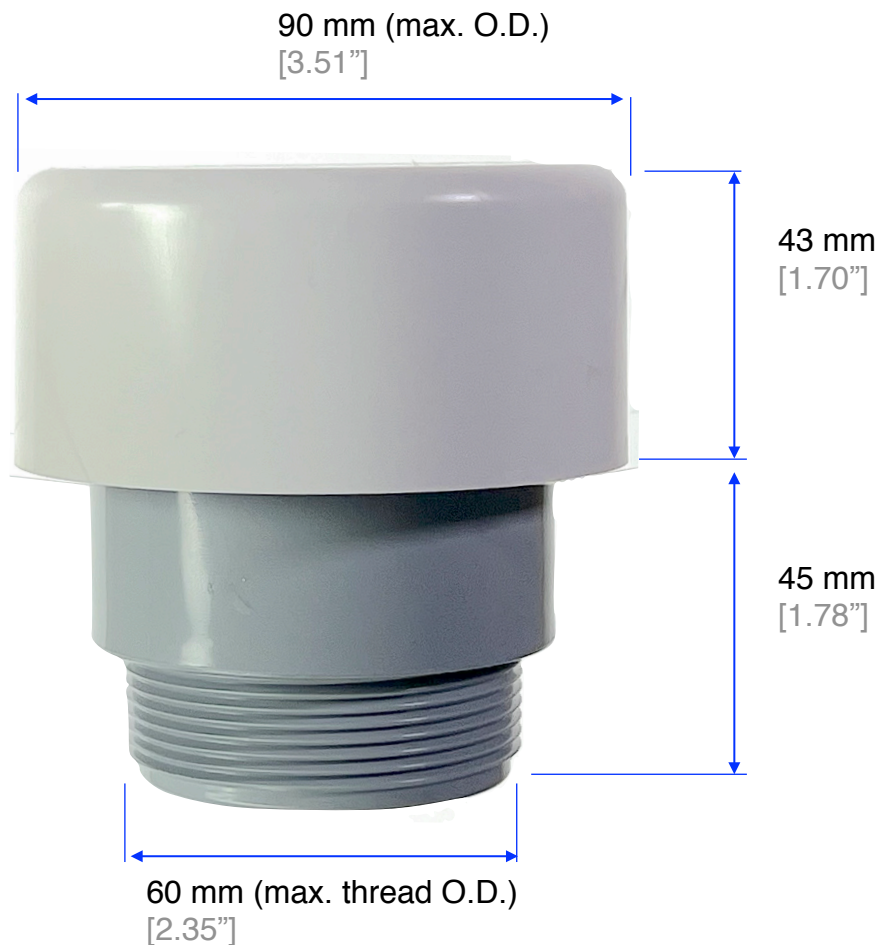
## INSTALLATION

Our vent caps are available with four types of mountings: male thread, female thread, slip fit, and flanged. The only difference between these variations is the mounting fitting - the top of the vent cap is identical.

The threaded connections simply screw onto a mating thread, whereas the slip mount is often cemented with PVC cement, or depending on the installation, it can be left loose so it can be removed easily.

## DRAWING

There are many variations of size and mounts but the following is a representative image. For complete dimensions please visit our web page [technical info](#).



VC-M-2

# VENT CAPS

## SPECIFICATIONS

### Materials

Fittings	PVC (electrical grade <sup>*</sup> ) Threads sizes are all ANSI standard sizes. If threaded then NPT thread.
Pipe	PVC (electrical grade)
Screen mesh	polypropylene. (6" and smaller) 24 mesh for 2" and smaller, 10 mesh for 3" and larger PVC sheet with 1/8" staggered holes for 8" and larger Open area 40% Maximum service temperature 150°F
Cap	PVC

<sup>\*</sup> electrical grade PVC is mineral filled to provide higher impact resistance and higher temperature service than standard PVC.

## OTHER POINTS

- To avoid confusion about sizing, the nominal size of the vent cap is NOT the same as the pipe diameter that it fits onto. For example, our 2" Vent Cap with a slip fitting will fit over a pipe that measure 3.28" O.D. This same 2" vent cap will have a cap that measure 3.5" across.
- For flow charts showing pressure curves at various flow rates please refer to our [technical info web page](#)