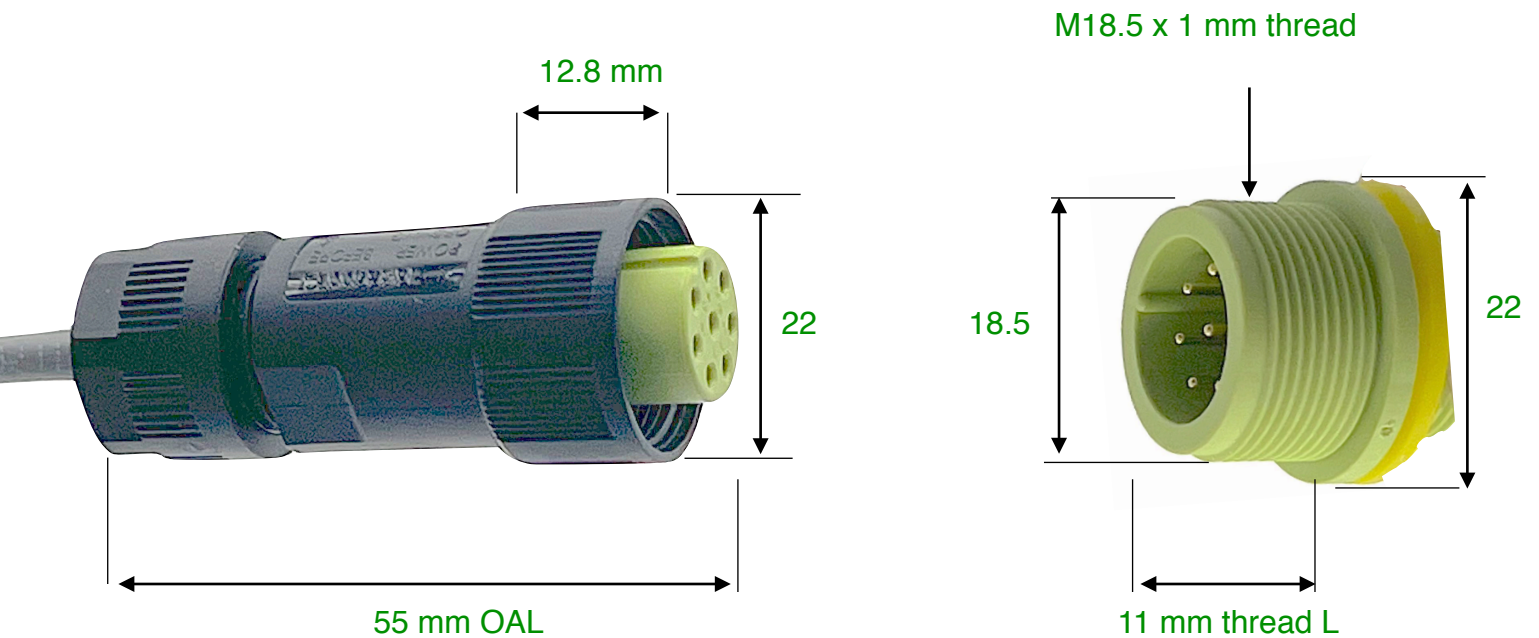


CIRCULAR CONNECTOR - SPECIFICATIONS

OVERALL

Ingress rating	IP68
Pins	8, gold plated
Current rating	5A
Voltage rating	125VAC
Cable diameter	6-11 mm



Oct 25, 2024